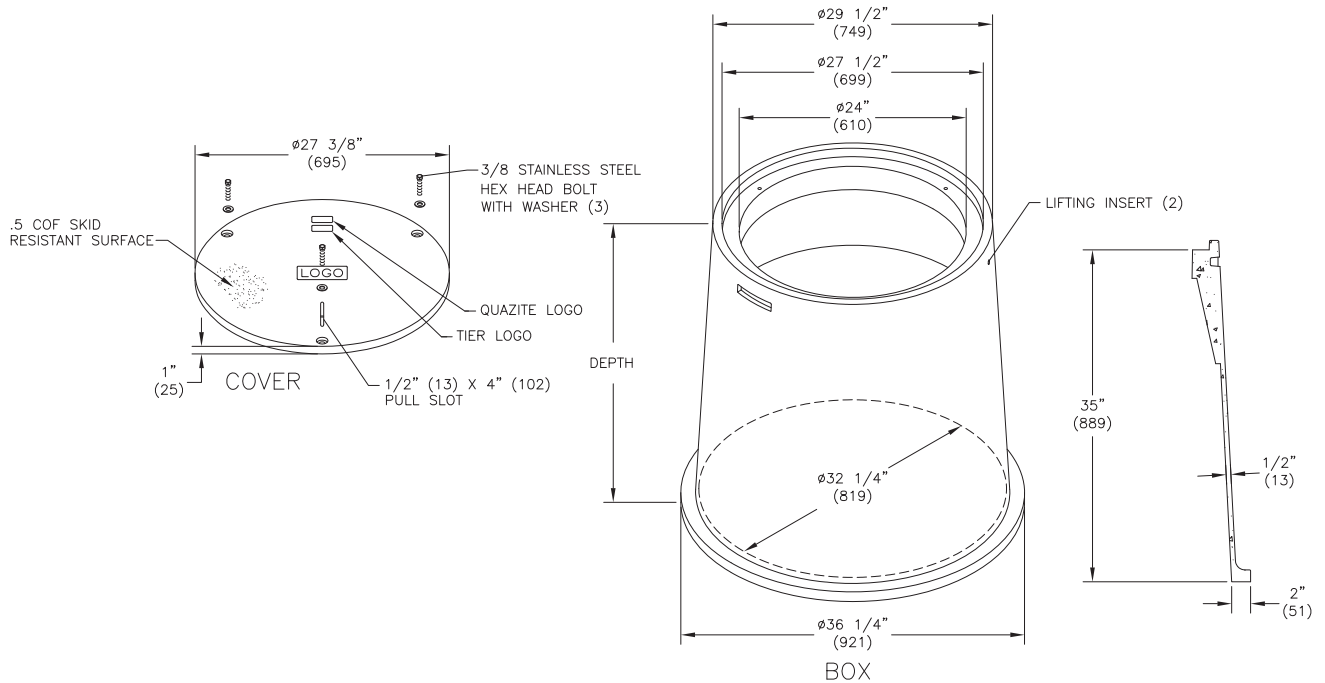


Dimensions / Data

27" Round Style Polymer Concrete (Nestable) Assembly

Hex Head Bolts are Standard



Covers

	DESCRIPTION	TIER	DESIGN / TEST LOAD #	WEIGHT #	PALLET QTY	PART NO.
UL	W/ 3 Bolts	8	8,000 / 12,000	53	10	PR2700CA00**
	W/ 3 Bolts	15	15,000 / 22,500	75	10	PR2700HA00**
	W/ 3 Bolts	22	22,500 / 33,750	75	10	PR2700HH00**

To order gasketed covers, replace the letter "A" with the letter "G".

Replace ** with a logo code found on page 60.

NOTE: Gasketed covers and bolt grommets must be used with a gasketed box. Gaskets reduce the inflow of fluids but do not make the enclosure water tight.

Boxes

	DESCRIPTION	DEPTH	TIER	DESIGN / TEST LOAD #	WEIGHT #	PALLET QTY	PART NO.
UL	Standard Open Bottom	36"	22	22,500 / 33,750	278	3	PR2732BA36

To order gasketed boxes, replace the letter "A" with the letter "G".

NOTE: Gasketed covers and bolt grommets must be used with a gasketed box. Gaskets reduce the inflow of fluids but do not make the enclosure water tight.