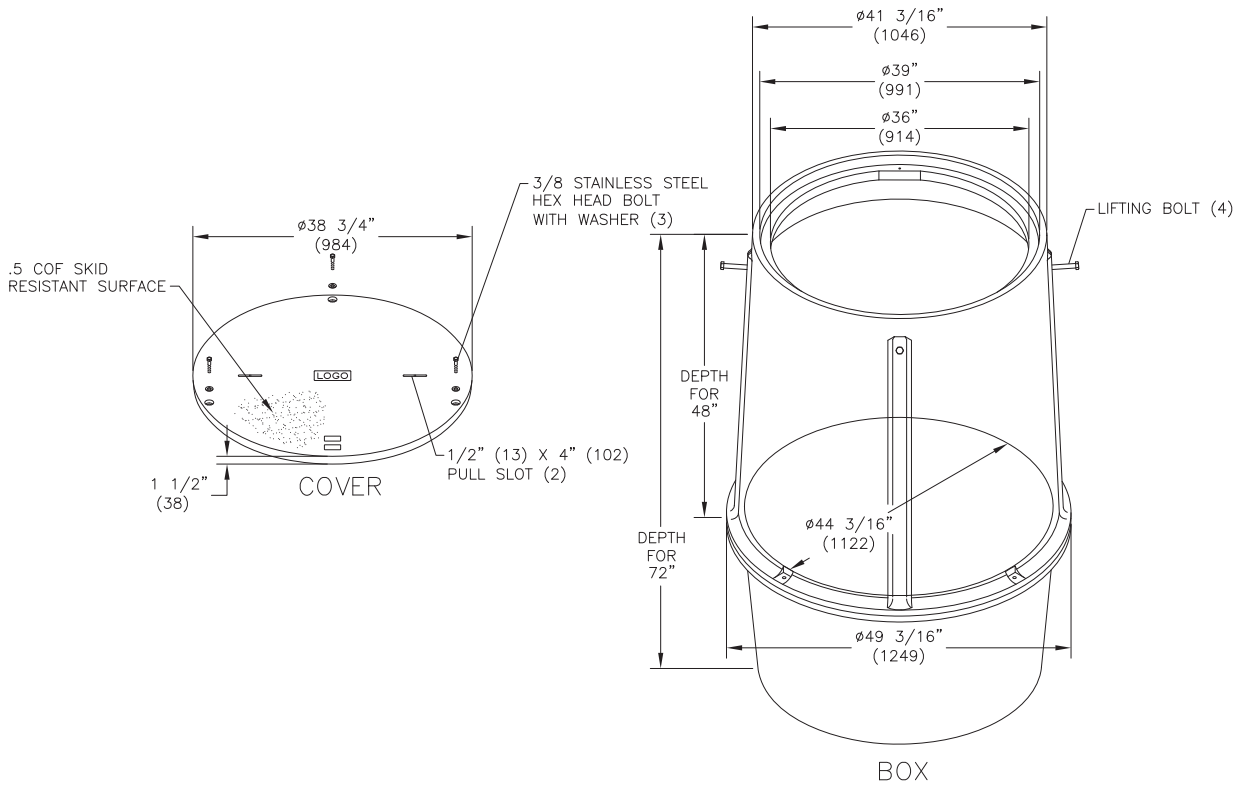


**Hex Head Bolts are Standard**



### Covers

	DESCRIPTION	TIER	DESIGN / TEST LOAD #	WEIGHT #	PALLET QTY	PART NO.
UL	W/ 3 Bolts	8	8,000 / 12,000	141	10	PR3900CA00**
UL	W/ 3 Bolts	15	15,000 / 22,500	180	10	PR3900HA00**
UL	W/ 3 Bolts	22	22,500 / 33,750	180	10	PR3900HH00**

To order gasketed covers, replace the letter "A" with the letter "G".

Replace \*\* with a logo code found on page 60.

NOTE: Gasketed covers and bolt grommets must be used with a gasketed box. Gaskets reduce the inflow of fluids but do not make the enclosure water tight.

### Boxes

	DESCRIPTION	DEPTH	TIER	DESIGN / TEST LOAD #	WEIGHT #	PALLET QTY	PART NO.
	Standard Open Bottom	48"	22	22,500 / 33,750	377	2	PR3944BA48
		72"	22	22,500 / 33,750	707	1	PR3944BA72

To order gasketed boxes, replace the letter "A" with the letter "G".

NOTE: Gasketed covers and bolt grommets must be used with a gasketed box. Gaskets reduce the inflow of fluids but do not make the enclosure water tight.

NOTE: 72" depth created by bolting 1-48" & 1-24" deep box bottom to bottom.